



Section 2

Remote air valves



R e m o t e a i r v a l v e s

Function	Port size	Flow (Max) NI/min	Individual mounting			Manifold mounting	Series
			Inline	Sub-base non "plug-in"	Valve only - no base		
5/2 - 5/3	G1/8" - G1/4"	1000	■	■			400
3/2	G3/4" - G1"	20000	■				67
5/2 - 5/3	G3/8" - G1/2"	3100			■	■	ISO 2
5/2 - 5/3	G1/2" - G3/4"	6200			■	■	ISO 3



R e m o t e a i r v a l v e s

Individual mounting

Series

Inline	Sub-base non "plug-in"
--------	------------------------

400

67

ISO 2

ISO 3



Remote air valves

Function	Port size	Flow (Max)	Individual mounting	Series
5/2 - 5/3	G1/8" - G1/4"	1000 NI/min	Inline	

OPERATIONAL BENEFITS

1. Balanced spool, immune to variations of pressure, also provides high flow.
2. Bonded spool with minimum friction, shifting in a glass-like finished bore.
3. Wiping effect eliminates sticking.
4. Long service life.
5. Short stroke with high flow.



400

67

ISO 2

ISO 3

HOW TO ORDER

SINGLE PRESSURE VALVES

Pilot air	5/2 Single operator	5/2 Double operator	5/3 Closed centre	5/3 Open centre	5/3 Pressure centre
G1/8"	411A-COJ-RA Mod 1493	421A-COJ-RA	451A-COJ-RA	461A-COJ-RA	471A-COJ-RA
G1/4"	411A-DOJ-RA Mod 1493	421A-DOJ-RA	451A-DOJ-RA	461A-DOJ-RA	471A-DOJ-RA

DUAL PRESSURE VALVES

Port size	5/2 Double operator
G1/8"	441A-COJ-RA
G1/4"	441A-DOJ-RA

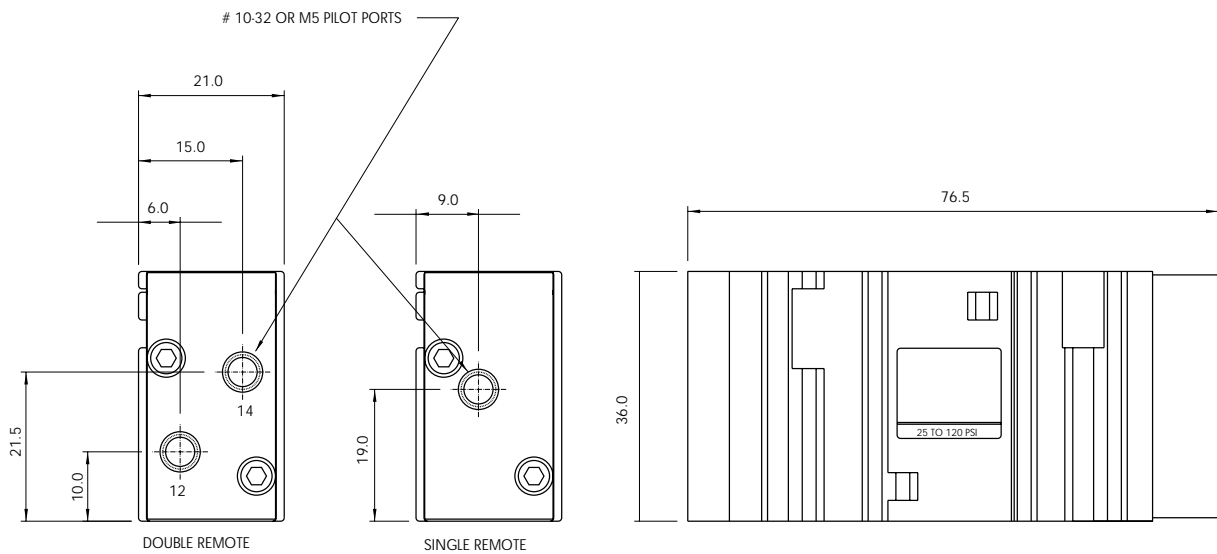
TECHNICAL DATA

Fluid :	Compressed air, vacuum, inert gases
Pressure range :	Single operator: vacuum to 6,7 bar Double operator: vacuum to 10 bar
Air signal pressure :	Single oper.: 2.7 to 10 bar Double oper., 2 pos.: 1,3 to 10 bar, 3 pos.: 2,3 to 10 bar
Lubrication :	Not required, if used select a medium aniline point lubricant (between 80°C and 100°C)
Filtration :	40µ
Temperature range :	-18°C to 50°C
Orifice :	6.2 mm
Flow :	1000 NI/min (Cv 1.0)
Note :	Air signal must be ≥ main valve pressure

Option : • NPTF threads

DIMENSIONS

Dimensions shown are metric (mm)





R e m o t e a i r v a l v e s

Function	Port size	Flow (Max)	Individual mounting	Series
5/2 - 5/3	G1/8" - G1/4"	1000 NI/min	Sub-base non "plug-in"	

OPERATIONAL BENEFITS

1. Balanced spool, immune to variations of pressure, also provides high flow.
2. Bonded spool with minimum friction, shifting in a glass-like finished bore.
3. Wiping effect eliminates sticking.
4. Long service life.
5. Short stroke with high flow.



400
67
ISO 2
ISO 3

HOW TO ORDER

SINGLE PRESSURE VALVES

Port size	5/2 Single operator	5/2 Double operator	5/3 Closed centre	5/3 Open centre	5/3 Pressure centre
Valve less base	413A-00J-RA	423A-00J-RA	453A-00J-RA	463A-00J-RA	473A-00J-RA
G1/8"	413A-CAJ-RA Mod 1493	423A-CAJ-RA	453A-CAJ-RA	463A-CAJ-RA	473A-CAJ-RA
G1/4"	413A-DAJ-RA Mod 1493	423A-DAJ-RA	453A-DAJ-RA	463A-DAJ-RA	473A-DAJ-RA

DUAL PRESSURE VALVES

Port size	5/2 Double operator
G1/8"	443A-CAJ-RA
G1/4"	443A-DAJ-RA

OPTIONS

423A-CAJ-RA

B for base with flow controls

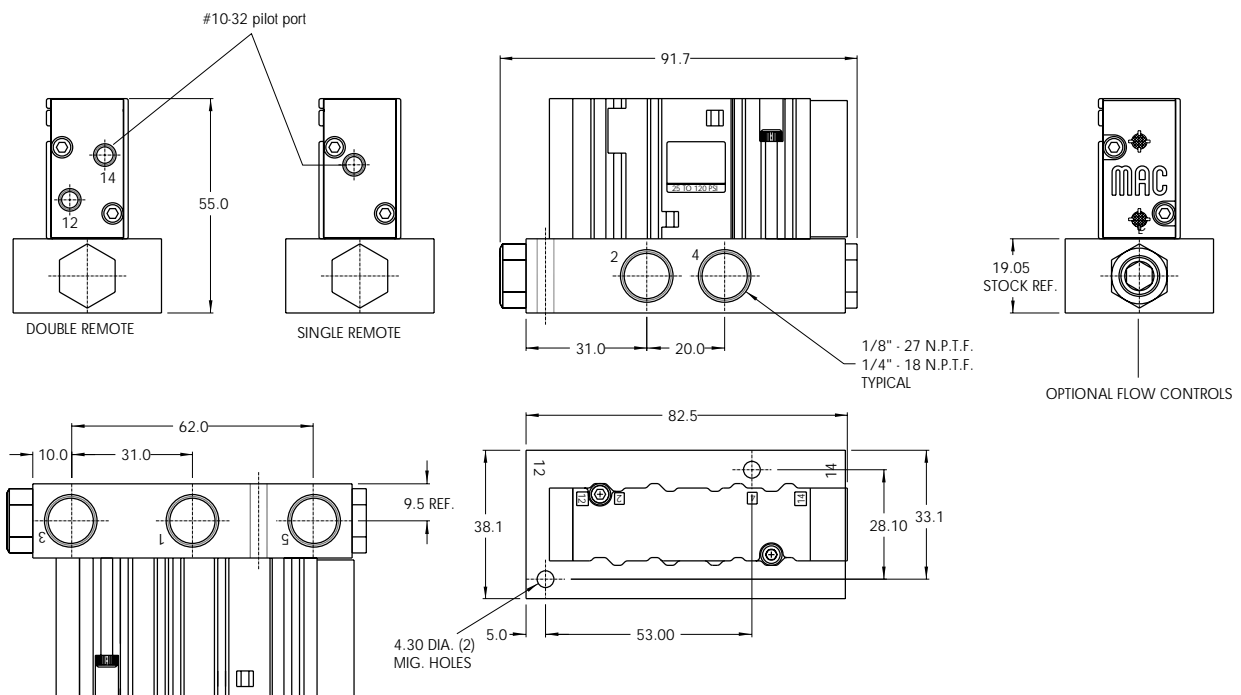
TECHNICAL DATA

Fluid :	Compressed air, vacuum, inert gases
Pressure range :	Single operator: vacuum to 6,7 bar Double operator: vacuum to 10 bar
Air signal pressure :	Single oper.: 2.7 to 10 bar Double oper., 2 pos.: 1,3 to 10 bar, 3 pos.: 2,3 to 10 bar
Lubrication :	Not required, if used select a medium aniline point lubricant (between 80°C and 100°C)
Filtration :	40µ
Temperature range :	-18°C to 50°C
Orifice :	6.2 mm
Flow :	1000 NI/min (Cv 1.0)
Note :	Air signal must be ≥ main valve pressure

- Options :
- NPTF threads
- Spare parts :
- Valve to base pressure seal: 16525
 - Valve mounting screw (x2): 35043
 - Flow control assembly (x2): N-04001

DIMENSIONS

Dimensions shown are metric (mm)





R e m o t e a i r v a l v e s

Individual mounting

Series

Inline	
--------	--

400

67

ISO 2

ISO 3

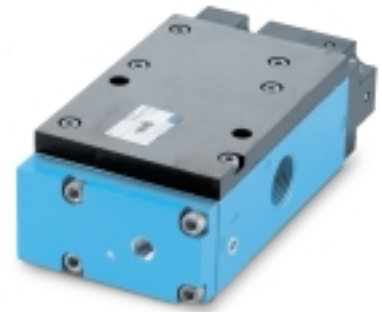


R e m o t e a i r v a l v e s

Function	Port size	Flow (Max)	Individual mounting	Series
3/2	G3/4" - G1"	20000 NI/min	Inline	

OPERATIONAL BENEFITS

1. Balanced spool, immune to variations of pressure.
2. Powerful return forces thanks to the combination of mechanical and air springs.
3. Bonded spool with minimum friction, shifting in a glass like finished bore.
4. Wiping effect eliminates sticking.
5. Long service life.



400

67

ISO 2

ISO 3

HOW TO ORDER

Port size	Pilot air	Single Operator		Double Operator	
		NO Valve	NC Valve	NO Valve	NC Valve
G3/4"	Internal	67A-C3-CRA-RA	67A-A3-CRA-RA	67A-D4-CRA-RA	67A-B4-CRA-RA
G1"		67A-C3-DRA-RA	67A-A3-DRA-RA	67A-D4-DRA-RA	67A-B4-DRA-RA
G3/4"	External	67A-C3-CRB-RE	67A-A3-CRB-RE	-	-
G1"		67A-C3-DRB-RE	67A-A3-DRB-RE	-	-

Note : Designation 'RE' required on remote air models with main valve pressures of vacuum to 1,3 bar.

'RE' provides an external pilot and should have a pressure range of 1,3 - 5 bar. Since the external pilot supplies the air spring, it must not exceed the remote air pilot pressure.

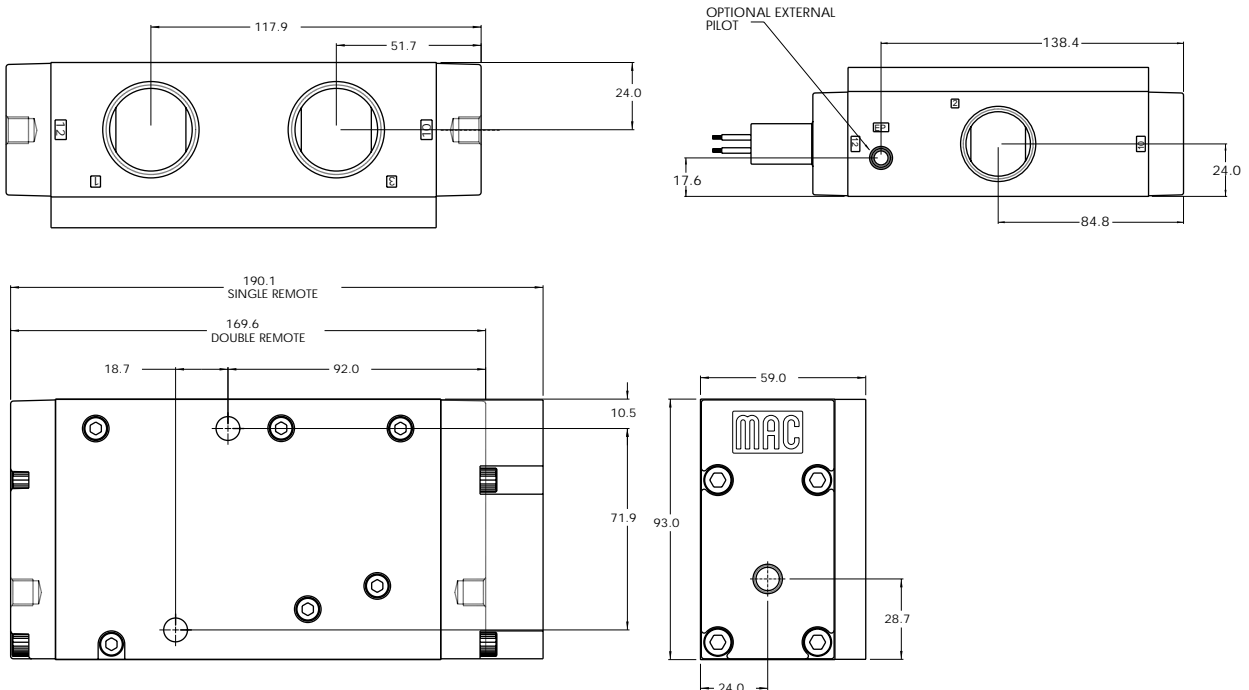
TECHNICAL DATA

Fluid :	Compressed air, vacuum, inert gases
Pressure range :	Vacuum to 10 bar
Air signal pressure :	1.3 to 10 bar (must be \geq main valve pressure)
Lubrication :	Not required, if used select a medium aniline point lubricant (between 180°F to 210°F)
Filtration :	40 μ
Temperature range :	-18°C to +50°C
Orifice :	26.8 mm
Flow :	3/4" : 14500 NI/min (Cv 14.5) - 1" : 20000 NI/min (Cv 20.0)

Options : • NPT threads

DIMENSIONS

Dimensions shown are metric (mm)





R e m o t e a i r v a l v e s

Individual mounting

Series

Valve only -
no base

400

Manifold mounting

67

Valve only -
no base

ISO 2

ISO 3



R e m o t e a i r v a l v e s

Function	Port size	Flow (Max)	Individual/Manifold mounting	Series
5/2 - 5/3	G3/8" - G1/2"	3100 NI/min	Valve only - no base	

OPERATIONAL BENEFITS

1. Balanced spool, immune to variations of pressure.
2. Powerful return forces thanks to the combination of mechanical and air springs.
3. Bonded spool with minimum friction, shifting in a glass-like finished bore.
4. Wiping effect eliminates sticking.
5. Long service life.



400
67
ISO 2
ISO 3

HOW TO ORDER

SINGLE PRESSURE MODELS

Air spring	5/2 Single operator	5/2 Double operator	5/3 Closed centre	5/3 Open centre
Internal	MV-R2A-BACF	MV-R2A-BBAK	MV-R2A-BEAK	MV-R2A-BFAK
External	MV-R2A-BACG			

DUAL PRESSURE MODELS

Air spring	5/2 Single operator	5/2 Double operator	5/3 Open centre	5/3 Pressure centre
Internal port #3	MV-R2A-BCCH		MV-R2A-BHAK	MV-R2A-BGAK
Internal port #5	MV-R2A-BCCJ	MV-R2A-BDAK		
External	MV-R2A-BCCG			

Note: ISO series, valve and base are ordered separately, click here for base code.

TECHNICAL DATA

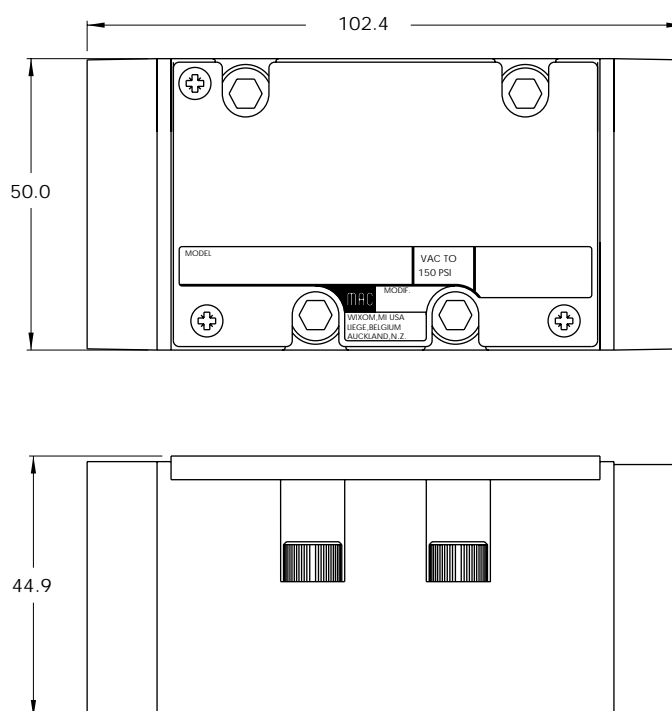
Fluid :	Compressed air, vacuum, inert gases
Pressure range :	Vacuum to 10 bar
Air signal pressure :	Single/double operator: 1,3 to 10 bar 3 position: 2 to 10 bar
Lubrication :	Not required, if used select a medium aniline point lubricant (between 80°C and 100°C)
Filtration :	40 μ
Temperature range :	-18°C to +50°C
Orifice :	10,6 mm
Flow (at 6 bar, ΔP=1bar) :	G3/8": 2800 NI/min – G1/2" : 3100 NI/min (Cv 3,1)

Spare parts :

- Valve to base pressure seal: 16576
- Valve mounting screws (x4): 35413

DIMENSIONS

Dimensions shown are metric (mm)





R e m o t e a i r v a l v e s

Individual mounting

Valve only -
no base

Series

400

Manifold mounting

Valve only -
no base

67

ISO 2

ISO 3



Remote air valves

Function	Port size	Flow (Max)	Individual/Manifold mounting	Series
5/2 - 5/3	G1/2" - G3/4"	6200 NI/min	Valve only - no base	

OPERATIONAL BENEFITS

1. Balanced spool, immune to variations of pressure.
2. Powerful return forces thanks to the combination of mechanical and air springs.
3. Bonded spool with minimum friction, shifting in a glass-like finished bore.
4. Wiping effect eliminates sticking.
5. Long service life.



400
67
ISO 2
ISO 3

HOW TO ORDER

SINGLE PRESSURE MODELS

Air spring	5/2 Single operator	5/2 Double operator	5/3 Closed centre	5/3 Open centre
Internal	MV-R3A-BACF	MV-R3A-BBAK	MV-R3A-BEAK	MV-R3A-BFAK
External	MV-R3A-BACG			

DUAL PRESSURE MODELS

Air spring	5/2 Single operator	5/2 Double operator	5/3 Pressure centre
Internal port #3	MV-R3A-BCCH	MV-R3A-BDAK	MV-R3A-BGAK
Internal port #5	MV-R3A-BCCJ		
External	MV-R3A-BCCG		

Note: ISO series, valve and base are ordered separately, click here for base code.

TECHNICAL DATA

Fluid :	Compressed air, vacuum, inert gases
Pressure range :	Vacuum to 10 bar
Air signal pressure :	Single/double operator: 1,3 to 10 bar 3 position: 2 to 10 bar
Lubrication :	Not required, if used select a medium aniline point lubricant (between 80°C and 100°C)
Filtration :	40 μ
Temperature range :	-18°C to +50°C
Orifice :	24 mm
Flow :	G1/2": 5400 NI/min (Cv 5,4) – G3/4" : 6200 NI/min (Cv 6,2)

Spare parts :

- Valve to base pressure seal: 16614
- Valve mounting screws (x4): 35451

DIMENSIONS

Dimensions shown are metric (mm)

